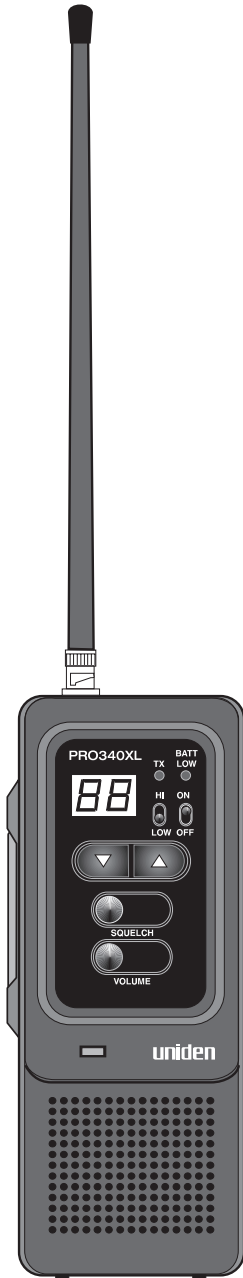


uniden®

PRO340XL Citizens Band Radio



Contents

Introduction	1
Elimination Of Licensing	1
Unpacking Your CB Radio	2
Controls And Functions	3
Connecting the Antenna	4
Power	5
Installing Batteries	5
Alkaline Batteries	5
Nickel-Cadmium Batteries	7
Connecting the Cigarette Lighter Power Cord	8
Operation	9
Before operating the PRO340XL :	9
Receive	9
Transmit	9
Care and Maintenance	10
Replacing the Cigarette Lighter Plug Fuse	10
Replacing the Batteries	10
Recharging Batteries	11
Using the Cigarette Lighter Power Cord	11
Using an Optional AC Adapter	11
Troubleshooting	12
Servicing Your CB	12
Specifications	13

Features, Specifications and availability of Optional Accessories are all subject to change without notice.

Uniden[®] is a registered trademark of Uniden America Corporation.

Introduction

Welcome to the world of CB radio communication. Your Uniden **PRO340XL** represents the most advanced portable radio ever designed for use in the Citizens Band Radio Service. This powerful unit operates on any of the 40 AM frequencies authorized by the Federal Communications Commission (FCC).

Among its many features, the **PRO340XL** includes:

- *Superheterodyne circuitry* to enhance receiver quality.
- *Phase Locked Loop Synthesizer* techniques to assure precise frequency control.
- Flexible operation that allows you to power the radio with 8 AA alkaline batteries, 10 rechargeable AA nickel-cadmium batteries (batteries not included), or from your vehicle battery.
- Connection for an optional nickel-cadmium battery charger.

This radio has been type accepted and fully certified by the FCC.

WARNING

The Citizens Band (CB) Radio Service is under the jurisdiction of the Federal Communications Commission (FCC). Any adjustments or alterations which alter the performance of the transceiver's original FCC type acceptance, or change the frequency determining method, are strictly prohibited. Replacement or substitution of crystals, transistors, ICs regulator diodes, or any other part of a unique nature, with parts other than those recommended by Uniden may cause violations of the technical regulations of Part 95 of the FCC rules or violation as type acceptance requirements of Part 2 of the rules.

Elimination Of Licensing

The Federal Communications Commission has ruled that Citizens Band Radio Service operators are no longer required to obtain an FCC license to operate their CB equipment. In doing so, the FCC also permits CB stations to operate without station identification.

Elimination of individual station licenses results in no lessening of the operating privileges or responsibilities of CB users. An operator of a CB radio station is still required to comply with the Communications Act and with the rules of CB Radio Service.

Unpacking Your CB Radio

Carefully unpack your **PRO340XL** and check the contents against this list:

- **PRO340XL** Portable CB Radio
- 2 Battery Spacers (For use with alkaline batteries)
- Cigarette Lighter Power Cord
- Flexible Antenna
- Belt Clip (Attached to radio)
- This Operating Guide (Read it carefully and save)
- Part 95 Subpart D (FCC Rules)
- Product Registration Card (In Operating Guide)

If any items are missing or damaged, contact your place of purchase immediately.

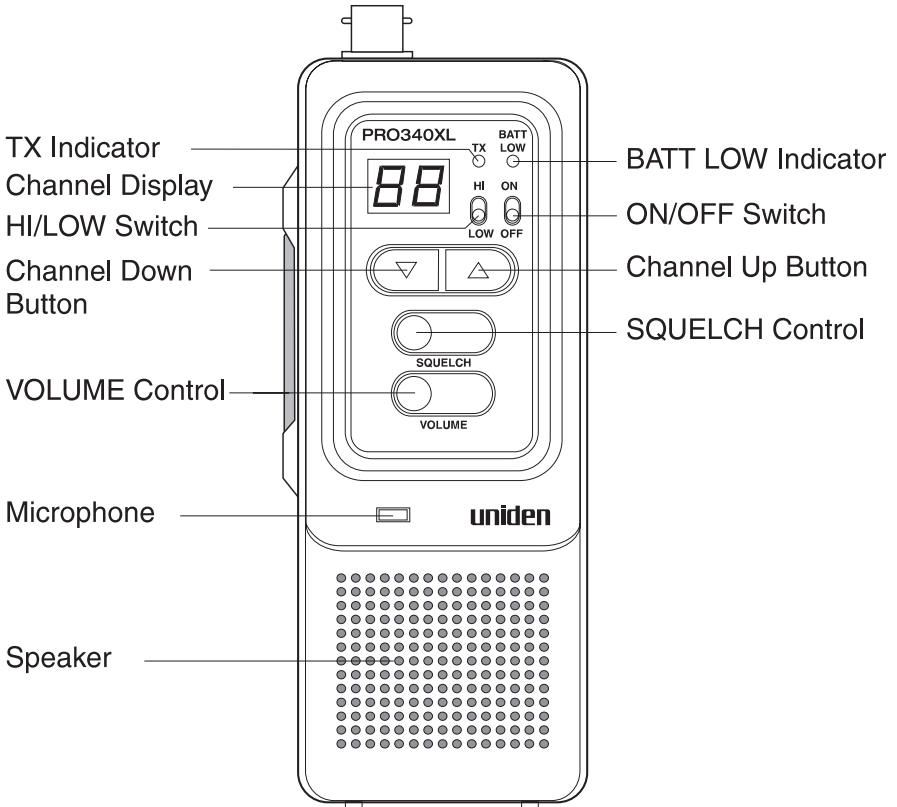
Be sure to complete and mail in the Product Registration Card.

WARNING

Do not attempt to charge alkaline batteries in this radio. Make sure you have installed 10 rechargeable nickel-cadmium batteries before connecting power to the charge connection.

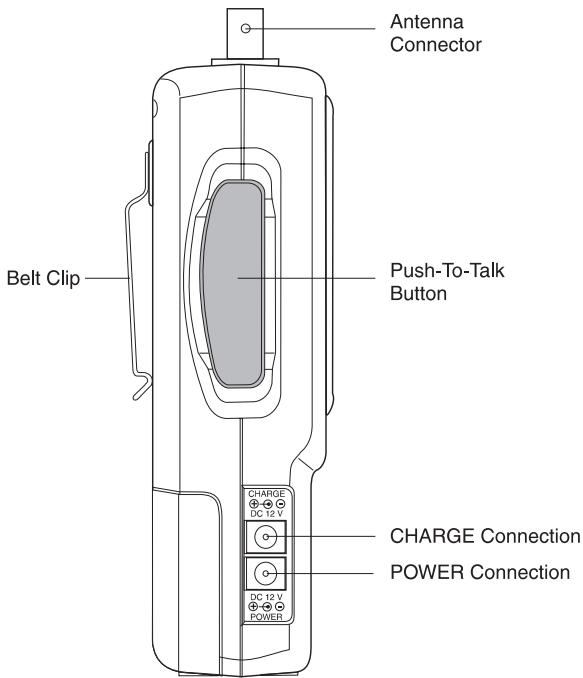
For optimum performance, use only Alkaline AA or Nickel-Cadmium AA batteries in this unit. See pages 5 through 7 for directions for inserting batteries.

Controls And Functions



Front View

- | | |
|-------------------------|--|
| TX Indicator | — LED lights to indicate when the radio is transmitting. |
| BATT LOW LED | — Lights when the batteries become weak and need to be replaced. |
| Channel Display | — A large LED display shows the current channel in use. |
| HI/LOW Switch | — Changes transmitter power from low to high. |
| ON/OFF Switch | — Turns the radio on and off. |
| Channel Selector | — Selects any of the 40 CB channels. |
| SQUELCH Control | — Adjusts the squelch level. |
| VOLUME Control | — Adjusts the volume level. |
| Microphone | — Transforms speech into transmission signals. |
| Speaker | — Produces audible signals from incoming transmissions. |

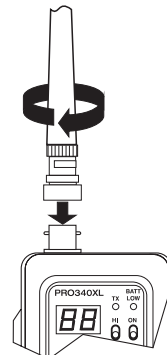


Side View

- Antenna Connector** — Provides a connection for the supplied flexible antenna.
- Belt Clip** — Connects to belt for portability.
- Push-to-Talk Button** — Switches the CB from receive to transmit mode.
- CHARGE Connection** — Connection for a 12V DC power source to charge nickel-cadmium batteries while installed in the radio.
- POWER Connection** — Connection for a 12V DC external power source.

Connecting the Antenna

1. Align the two keys on the **PRO340XL** antenna connector with the key slots in the base of the flexible antenna.
2. Push the base of the flexible antenna down onto the antenna connector.
3. Twist the base clockwise to lock the antenna in place.



Power

The PRO340XL is designed to operate with maximum 12 volt DC power. Power can be supplied through 10 AA, 1.2 volt, rechargeable nickel-cadmium batteries; 8 AA, 1.5 volt alkaline batteries; or through the supplied cigarette lighter power cord when connected to a vehicle's 12 volt negative ground power system.

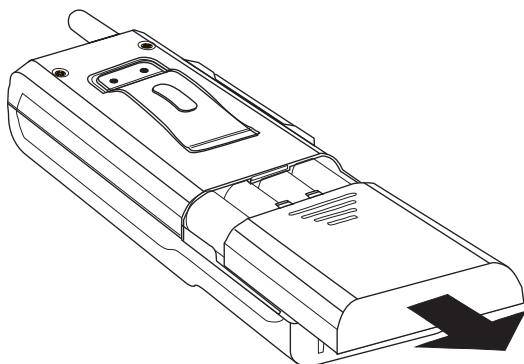
Installing Batteries

WARNING: Do not mix alkaline batteries with nickel-cadmium batteries.

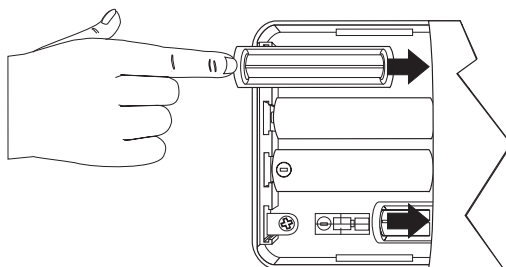
Alkaline Batteries

Note: To insure circuit continuity, use the two battery spacers supplied.

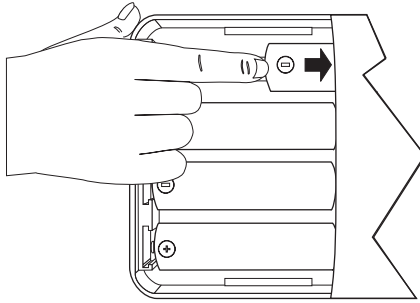
1. Slide the cover off the back of the PRO340XL.



2. Insert the battery spacers in the positions shown. They should go all the way into the case.

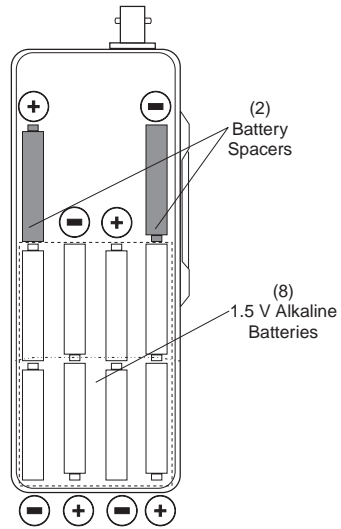


3. Insert 8 alkaline batteries into the compartment as shown.



Note: Be sure to insert each battery with the proper polarity, as marked in the battery compartment.

Follow this diagram for correct alkaline battery placement.

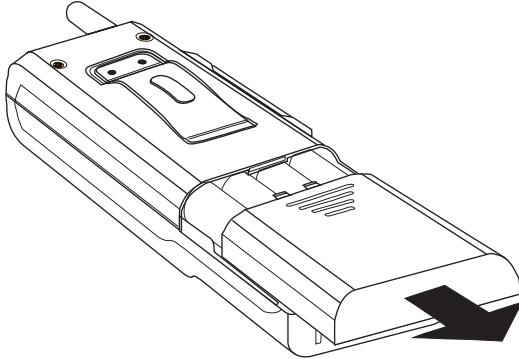


4. Replace the cover.

Note: When the batteries become weak, the BATT LOW LED will light. Be sure to replace the batteries as soon as possible. You can preserve battery power by selecting the "LOW" position on the HI/LOW switch. The "LOW" setting has a substantially shorter transmission range. (See the Operation section.)

Nickel-Cadmium Batteries.

1. Slide the cover off the back of the **PRO340XL**.

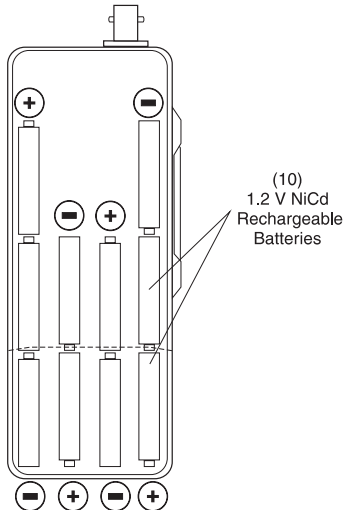


2. Insert 10 nickel cadmium batteries in the compartment.

Note: Be sure to insert each battery with the proper polarity, as marked in the battery compartment.

Note: The battery spacers are **NOT** used when installing nickel-cadmium batteries.

Follow this diagram for correct nickel-cadmium battery placement.



Nickel-cadmium battery placement

3. Replace the cover.

Note: When the batteries become weak, the BATT LOW LED will light. Be sure to replace the batteries as soon as possible. You can preserve battery power by selecting the "LOW" position on the HI/LOW switch. The "LOW" setting has a substantially shorter transmission range. (See the Operation section.)

Connecting the Cigarette Lighter Power Cord

Using the Cigarette Lighter Power Cord whenever you are operating the PRO340XL in a vehicle saves the radio's internal battery life.

IMPORTANT: *The Cigarette Lighter Power Cord is designed to be used **ONLY** with **negative** ground vehicles. **Do not** attempt to operate the unit with the power cord connected to a positive ground vehicle.*

To connect the Cigarette Lighter Power Cord:

1. Connect the power cord to the **POWER** connection on the side of the radio.
2. Plug the power cord into the cigarette lighter of your vehicle.

Note: *Power is disconnected from the radio's battery compartment when using the cigarette lighter power cord.*

Operation

Before operating the PRO340XL:

1. **Be sure** you **read** and **understand** Part 95 of the FCC Rules and Regulations.
2. Be sure that the power source and antenna are properly connected.
3. Turn the unit on by sliding the power switch up to the ON position.

Receive

1. Use the **Up/Down** channel keys to select any of the 40 channels. Press once to change one channel at a time. Press and hold to rapidly change channels.
2. Set the **VOLUME** control to a comfortable listening level.
3. Adjust the **SQUELCH** control to eliminate background noise during the absence of a signal. Move **SQUELCH** *to the right* until the noise disappears (no signal should be present). Leave the control at this setting. The receiver will remain quiet until a signal is actually received.

Note: *Do not advance the control too far, or some weaker signals will not be heard.*

Transmit

1. Set the **HI/LOW** Switch.
 - In the “HI” (4 watt) position, the unit transmits at maximum output power and achieves maximum range.
 - In the “LOW” (1 watt) position, transmission output power (range) is substantially reduced; but, the battery life will be increased. For maximum battery life, select the “LOW” position. This switch does not affect the reception range.
2. If the channel is clear, press the **Push-To-Talk Button** on the side of the unit. Be sure to speak clearly into the microphone.

IMPORTANT: *All channels, except channel 9, may be used for normal communication. Channel 9 is reserved by the FCC for emergency communications involving the immediate safety of individuals or the protection of property. Channel 9 may also be used to render assistance to a motorist. This is an FCC rule and applies to all operators of CB radios.*

Care and Maintenance

The **PRO340XL** is designed to give you years of trouble-free service. There are no user-serviceable parts inside and except for the batteries, or the fuse inside the cigarette lighter plug, no maintenance is required.

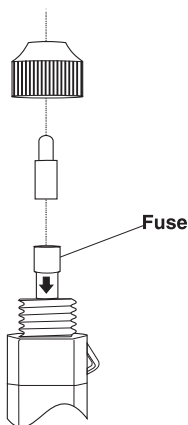
Note: *Do not expose the unit to moisture. Rain, dew, road splash, or other liquids may damage the internal components.*

Replacing the Cigarette Lighter Plug Fuse

The cigarette lighter plug contains a 2-ampere fuse to protect it from power surges.

To replace a blown fuse:

1. Squeeze the two metal contacts on the cigarette lighter plug cap and unscrew the cap counterclockwise.



2. Remove the fuse and replace it with the same type.
3. Replace the cap by grasping the plug's two metal contacts and squeezing them while twisting the cap back on. Make sure the cap is tightly secured.

Replacing the Batteries

See "Installing Batteries."

Recharging Batteries

You can recharge nickel-cadmium batteries while they are installed in the **PRO340XL**. Use the included Cigarette Lighter Power Cord or an optional AC Adapter (AD140U). Be sure to observe the polarity of the Adapter before connecting it to the radio.

Note: *The PRO340XL will not operate while the batteries are recharging.*

WARNING

Do not attempt to charge alkaline batteries in this radio. Make sure you have installed 10 rechargeable nickel-cadmium batteries before connecting power to the charge connection.

Using the Cigarette Lighter Power Cord

IMPORTANT: *The Cigarette Lighter Power Cord is designed to be used **ONLY** with **negative** ground vehicles. **Do not** attempt to charge the batteries with the power cord connected to a positive ground vehicle.*

1. Plug one end of the Cigarette Lighter Power Cord into the **CHARGE** connection on the side of the **PRO340XL**.
2. Plug the other end of the Cigarette Lighter Power Cord into the vehicle's cigarette lighter socket.

Using an optional AC Adapter

IMPORTANT: *Make sure you use only a Uniden AD140U AC Adapter.*

1. Plug one end of the AC Adapter into the **CHARGE** connection on the side of the **PRO340XL**.
2. Connect the other end of the AC Adapter to an AC power source.

Note: *Typical charging time is 12 hours.*

Troubleshooting

If the **PRO340XL** does not perform to your expectations, please try the troubleshooting suggestions listed below. If you cannot get satisfactory results, call the Uniden Customer Service Center at:

1-800-297-1023,
8:00 a.m. to 5:00 p.m. Central, Monday through Friday.

Problem	Suggestion
Unit does not power on.	<ul style="list-style-type: none">• Check the battery connections.• Check for weak or dead batteries.• If you are using the cigarette lighter power cord, check all connections as well as the fuse inside the cigarette lighter plug. Also check the vehicle electrical system.
Poor reception.	<ul style="list-style-type: none">• Check and adjust the SQUELCH.• Check the antenna connections.• Check for weak batteries.
Weak Transmission.	<ul style="list-style-type: none">• Check the antenna connections.• Check the HI-LOW switch.• Check for weak batteries.

Servicing Your CB

If service is necessary, contact your local Uniden dealer or return the product in its original carton. If you are shipping the item, enclose a brief description of the problem along with a copy of the original purchase receipt. Send the product to the address listed in the Warranty (at the end of this manual).

Technical information, diagrams, and charts are available upon request. It is the user's responsibility to see that this radio is operating at all times in accordance with the FCC Citizens Band Radio Service regulations. We highly recommend that you consult a qualified radiotelephone technician for service and alignment of this radio.

When ordering parts, please specify the correct model number and serial number of this radio.

Please refer to the "WARNING" information at the front of this manual.

Specifications

Channels:	40 AM
Frequency Range:	26.965 to 27.405 MHz
Frequency Control:	Phase Locked Loop (PLL) synthesizer
Frequency Tolerance:	$\pm 0.005\%$
Operating Temperature:	-22°F to $+122^{\circ}\text{F}$
Microphone:	Electret type (Built-in)
Input Voltage:	12.0 VDC nominal (negative ground)
Current Drain:	TX: Full modulation, 1.4A RX: With maximum audio output, 0.5A
Size:	2- $\frac{5}{8}$ " (W) x 1- $\frac{1}{2}$ " (D) x 5- $\frac{1}{2}$ " (H)
Complete Package:	1 lb. 5 oz.
Antenna Connector:	BNC

Transmitter

Power Output:	Selectable 1 watt or 4 watts
Modulation:	Class B amplitude modulation
Frequency Response:	300 to 3000 Hz
Output Impedance:	50 Ω unbalanced

Receiver

Sensitivity:	0.7 μV for 10 dB; (S+N)/N typical
Selectivity:	6 dB @ 7 kHz, 70 dB @ 10 kHz typical
Image Rejection:	75 dB typical
IF Frequency:	Double Conversion Superheterodyne 1st: 10.695 MHz 2nd: 455 kHz
Automatic Gain Control (AGC):	Less than 10 dB change in audio output for inputs from 10 to 50,000 μV
Squelch:	Adjustable; threshold less than 1 μV
Audio Output Power:	0.5 watts max. into 8 Ω
Frequency Response:	300 to 2500 Hz
Distortion:	Less than 10% at 0.4 watts, 1000 Hz
Internal Speaker:	16 Ω , 0.5 watts round

Specifications shown are typical and subject to change without notice.

Two Year Limited Warranty

WARRANTOR: UNIDEN MANUFACTURING, INC ("Uniden")

ELEMENTS OF WARRANTY: Uniden warrants, for two years, to the original retail owner, this Uniden Product to be free from defects in materials and craftsmanship with only the limitations or exclusions set out below.

WARRANTY DURATION: This warranty to the original user shall terminate and be of no further effect 24 months after the date of original retail sale. The warranty is invalid if the Product is (A) damaged or not maintained as reasonable or necessary, (B) modified, altered, or used as part of any conversion kits, subassemblies, or any configurations not sold by Uniden, (C) improperly installed, (D) serviced or repaired by someone other than an authorized Uniden service center for a defect or malfunction covered by this warranty, (E) used in any conjunction with equipment or parts or as part of any system not manufactured by Uniden, or (F) installed or programmed by anyone other than as detailed by the Operating Guide for this product.

STATEMENT OF REMEDY: In the event that the product does not conform to this warranty at any time while this warranty is in effect, warrantor will repair the defect and return it to you without charge for parts, service, or any other cost (except shipping and handling) incurred by warrantor or its representatives in connection with the performance of this warranty. THE LIMITED WARRANTY SET FORTH ABOVE IS THE SOLE AND ENTIRE WARRANTY PERTAINING TO THE PRODUCT AND IS IN LIEU OF AND EXCLUDES ALL OTHER WARRANTIES OF ANY NATURE WHATSOEVER, WHETHER EXPRESS, IMPLIED OR ARISING BY OPERATION OF LAW, INCLUDING, BUT NOT LIMITED TO ANY IMPLIED WARRANTIES OF MERCHANTABILITY OR FITNESS FOR A PARTICULAR PURPOSE. THIS WARRANTY DOES NOT COVER OR PROVIDE FOR THE REIMBURSEMENT OR PAYMENT OF INCIDENTAL OR CONSEQUENTIAL DAMAGES. Some states do not allow this exclusion or limitation of incidental or consequential damages so the above limitation or exclusion may not apply to you.

LEGAL REMEDIES: This warranty gives you specific legal rights, and you may also have other rights which vary from state to state. This warranty is void outside the United States of America.

PROCEDURE FOR OBTAINING PERFORMANCE OF WARRANTY: If, after following the instructions in this Operating Guide you are certain that the Product is defective, pack the Product carefully (preferably in its original packaging). Include evidence of original purchase and a note describing the defect that has caused you to return it. The Product should be shipped freight prepaid by traceable means, or delivered, to warrantor at:

Uniden America Corporation

Parts and Service

4700 Amon Carter Blvd.

Ft. Worth, TX 76155

(800) 297-1023, 8 AM to 5 PM Central, Monday through Friday

uniden®